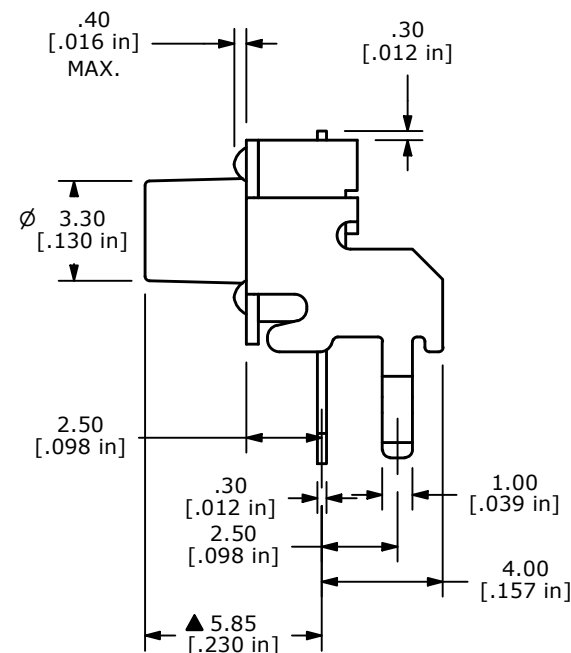
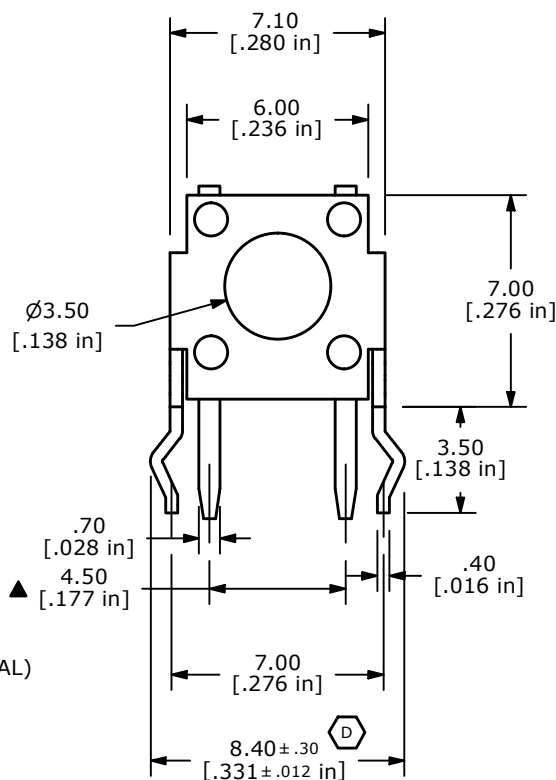
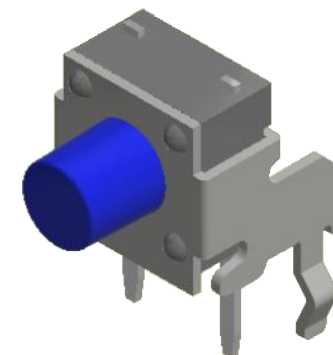
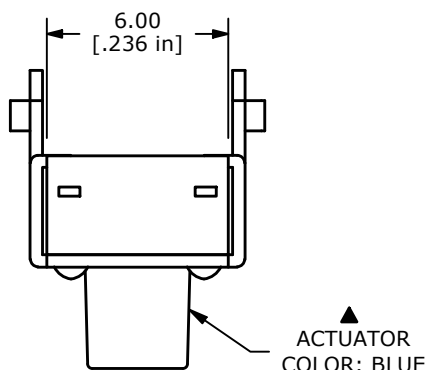
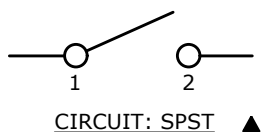


P.C.B. LAYOUT



- NOTES:
1. ALL DIMENSIONS IN MM
 2. GENERAL TOLERANCE: X.X=±0.4
X.XX=±0.25
 3. TERM. NOS. FOR REFERENCE ONLY.
 4. RATING: 50VDC, 50mA
 - ▲ 5. OPERATING FORCE: 160 ± 50 gf
 6. TRAVEL: 0.3 ± 0.15 mm
 7. CONTACT RESISTANCE: 100 MILLI OHMS MAX. (INITIAL)
 8. MECHANICAL/ELECTRICAL LIFE 100,000 CYCLES MIN.
 - ▲ 9. CONTACT MATERIAL: SILVER
 10. ▲ DENOTES CRITICAL PARAMETER
 11. OPERATING TEMP: -40°C TO 85°C

E	24549	REMOVE STEP IN HOUSING, CHANGE TEMP	10/19/20	JM
D	18742	LEG TOLERANCE WAS +/- 0.1	12/22/09	BLR
B	18331	REMOVED SPECIFIC RESIN INFO	11/21/08	BLR
B	11842	REVISED AND REDRAWN	11/27/01	CJB
REV	PCR NO	DESCRIPTION	DATE	BY



TITLE TL1105XF160Q				
SCALE	DATE	DR	DWG	REV
4:1	12/21/2009	BLR	P020221	E

THE INFORMATION CONTAINED IN THIS DOCUMENT IS PROPRIETARY TO E-SWITCH AND IS NOT TO BE COPIED OR TRANSFERRED